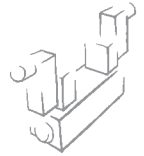


Multimach MM and HDM + B&R



An advanced field bus system interfacing with the Multimach world.

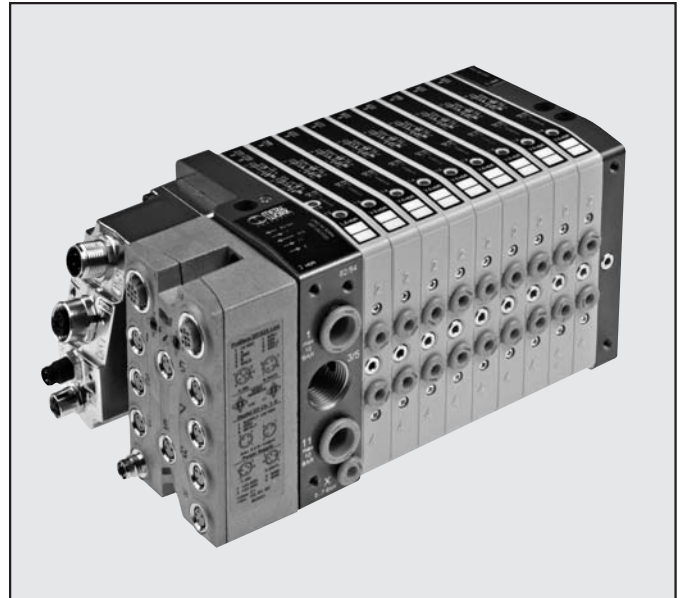
B&R has developed a new standard for automation, called FORMULA X.

For further details about features, functions and qualities of this system, reference must be made to the B&R documentation, also available on the web site www.br-automation.com

An overview is given below.

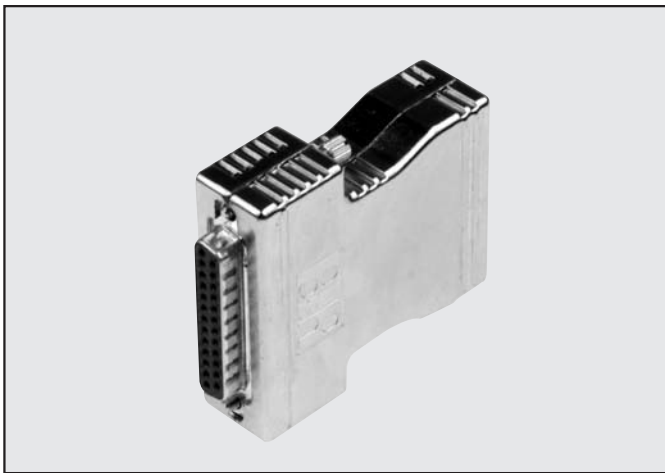
The X-system is a system handling analogue and digital inputs and outputs for local or remote use, which B&R defines as decentralised backplane.

Different types of modules are available. We present those designed for connection with Multimach and HDM valve islands. We only indicate the B&R's code root, since each type of module comes in different variants, that differ by number of signals handled, that can be 8, 16 or 24, and by type of signal, that can be input, output or input/output indifferently. Common to all the modules is the presence of 4 connections: a signal input, a signal output for the following modules, a power input (24V DC), a power output for the following modules.



B&R CONNECTORS AND MODULES

IP20 7XV...50-11 SMART CONNECTOR



It is a plug connector with IP20 protection that contains the X system electronics. It can be connected:

- with Multimach islands, using an axial electric connector support, code 0226180005
- with HDM islands, using the special input end-plate, type 1, code 0227301207 or the special input end-plate type 1-11, code 0227301206.

IP67 7XV...50-51 SMART CONNECTOR

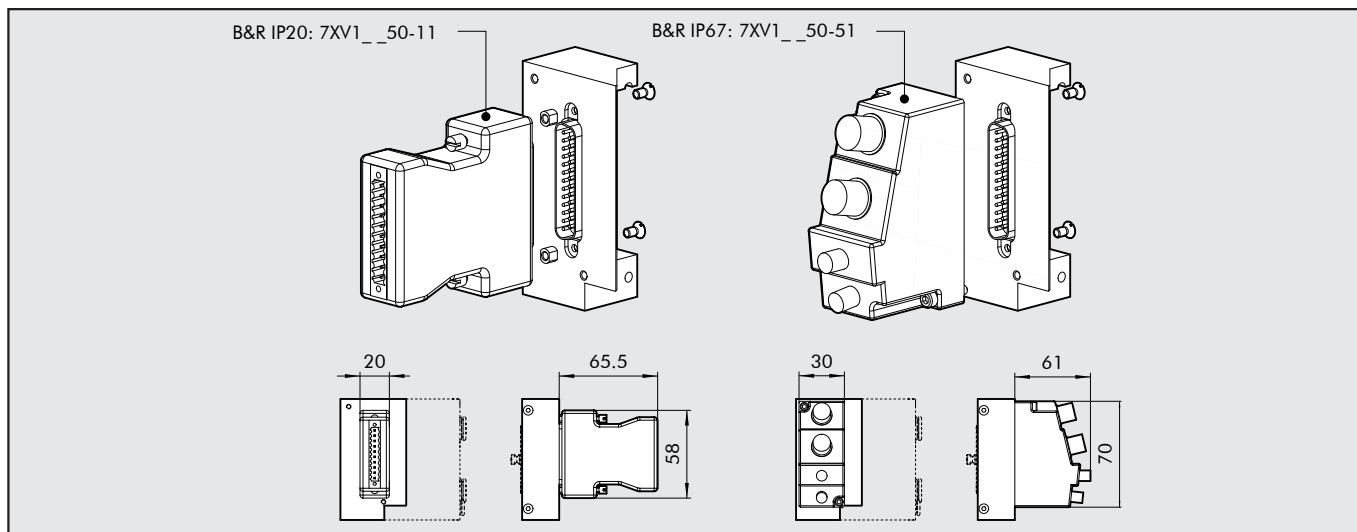


It is a plug connector with IP67 protection, that contains the X system electronics. It can be connected:

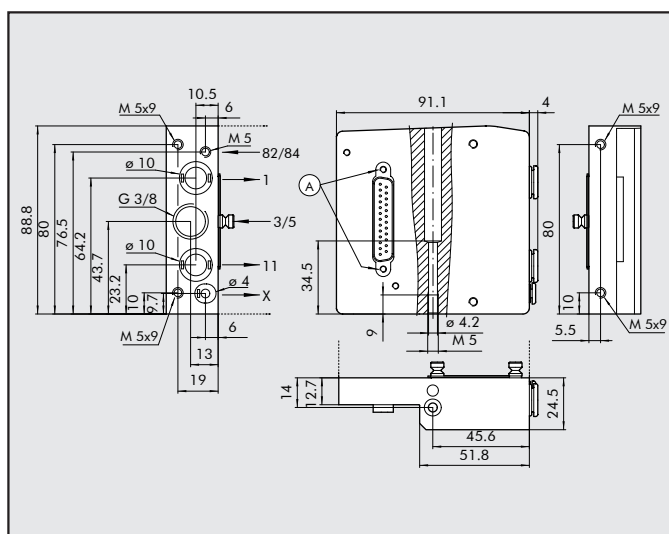
- with Multimach islands, using an axial electric connector, code 0226180005
- with HDM islands, using the special input end-plate type 1, code 0227301207, or the special input end-plate, type 1-11 code 0227301206.



APPLICATION OF B&R MODULES TO THE MULTIMACH CONNECTOR SUPPORT

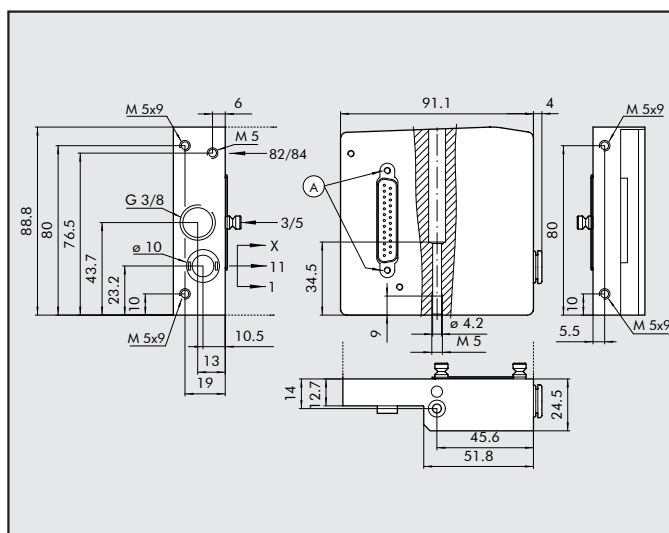


HDM 1-11 TERMINAL FOR B&R



Code	Description	Weight [g]
0227301206	HDM 1-11 end-plate kit for B&R	340

HDM 1 TERMINAL FOR B&R



Code	Description	Weight [g]
0227301207	HDM 1 end-plate kit for B&R	380

APPLICATIONS OF B&R MODULES TO HDM END-PLATES

